

SPECIFICATION

Manufacturers: Dongguan maywolf Technology Development Co. Ltd

Name: Pressure sensor

Type: MW-PS-R16

version number: V1.1

1. applicable scope: Measure the pressure of non-corrosive liquid and output linear signal.

2. product characteristics: Made of high-quality porcelain piezoresistive pressure sensor, use a custom op-amp chip compensate the offset of the signal and noise, temperature, and according to the characteristics of the water treatment industry, the uniqueness of the design in structure, high integration, low cost, small volume, convenient disassembling.

3. Electrical parameters

NO	ITEMS	specifications
3.1	Range	0.2~16bar
3.2	Feed voltage	5 VDC
3.3	Output	Linear proportional voltage 0.5 ~ 4.5v (0bar 0.5V output;16bar 4.5V output)
3.4	Response time	<2ms
3.5	Linearity	±3%
3.6	Stability during lifetime	<1%/year
3.7	Temperature deviation	±3% (0~60°C)
3.8	overall accuracy	5%
3.9	withstand voltage	300 Volts max
3.10	Typical working current	1.8mA
3.11	Standby current	<250nA

4. Function parameters

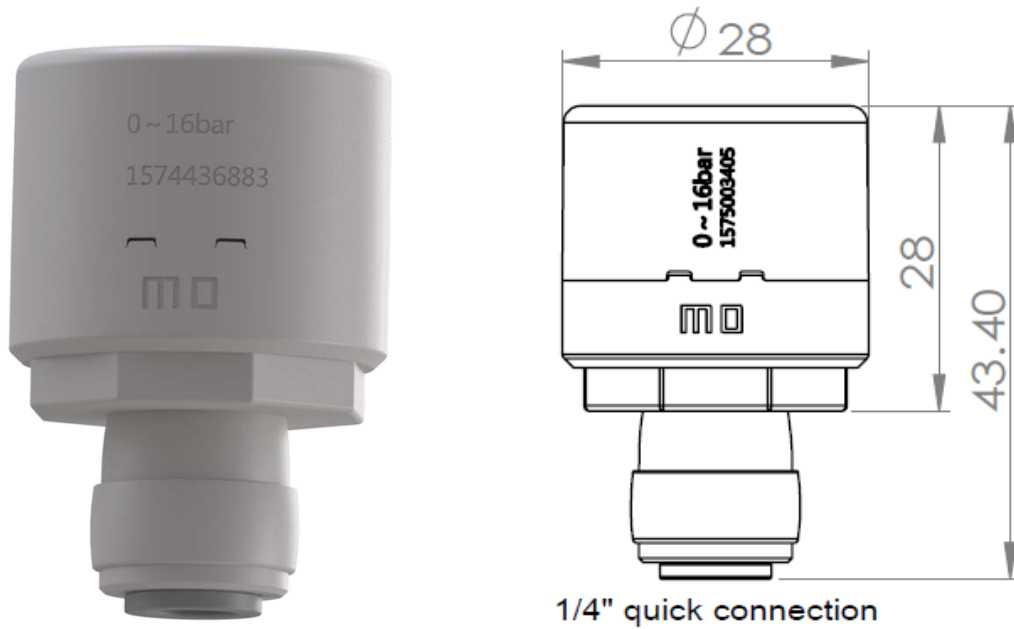
NO	ITEMS	specifications	standard
4.1	Overall dimensions	Φ28×43.5mm	
4.2	Type of connection	1/4" quick connection or 3/8 screw thread	
4.3	wire size	Awg 26	
4.4	Pitch	2.54mm-3pole	
4.5	Wire definition	1.Vout(yellow) 2.GND(black) 3.Vcc(red)	
4.6	Wire connection strength	20N•10S	No damage at connection
4.7	Burst pressure	>3MPa	
4.8	Resistance to water hammer	30s frequency 1.05MPa water hammer 100,000 times	No leakage and breakage
4.9	Drop performance	fell on the concrete three times in any direction from a height of 50cm	No damage

5. Applicable environment

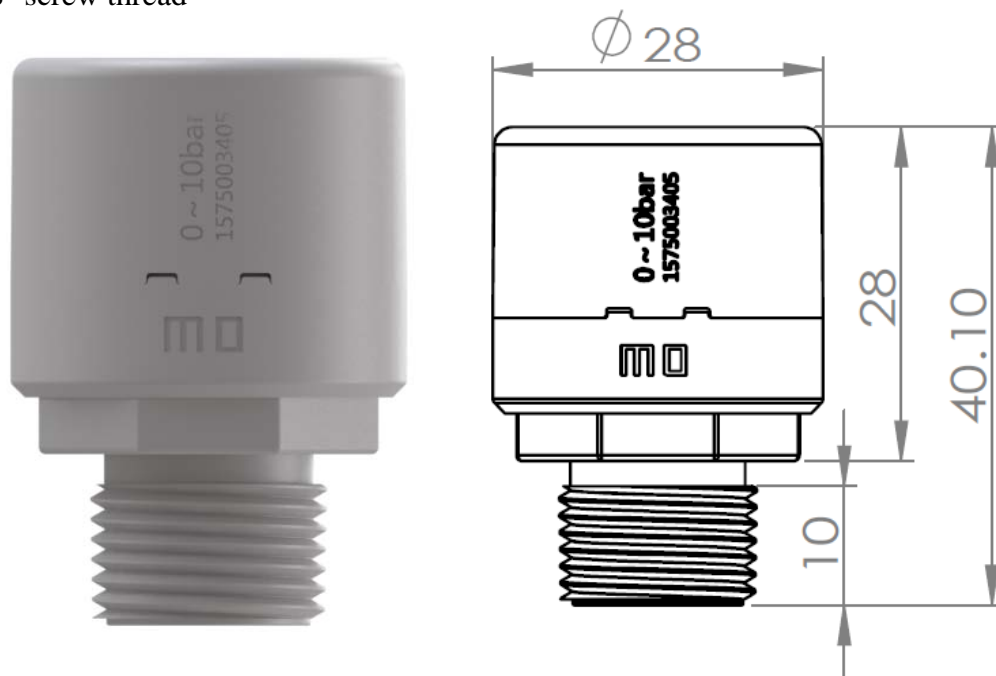
NO	ITEMS	specifications
5.1	The water quality	Turbidity <1
5.2	TDS	<5000
5.3	Chloride	<3000
5.4	Safe water pressure	<32Bar
5.5	water temperature	3~60℃
5.6	Working temperature	0~65℃
5.7	Working humidity	<95%
5.8	Storage environment	Temperature 0 ~ 45℃, humidity <90%

6. Shape diagram

6.1 1/4" quick connection



6.2 3/8" screw thread



6.3 3/8" screw thread sizes

