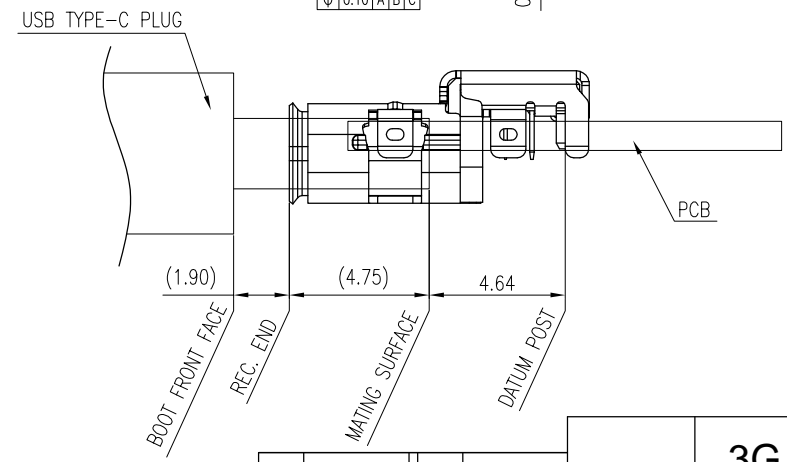
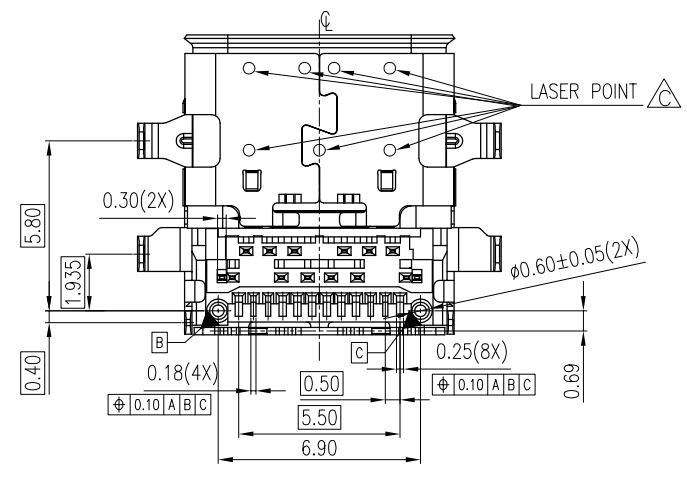
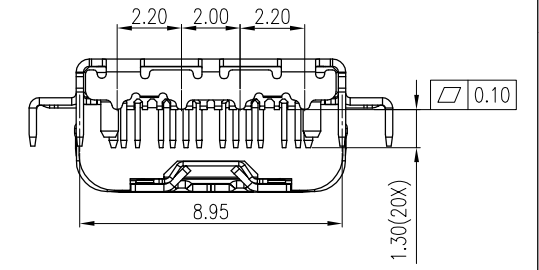
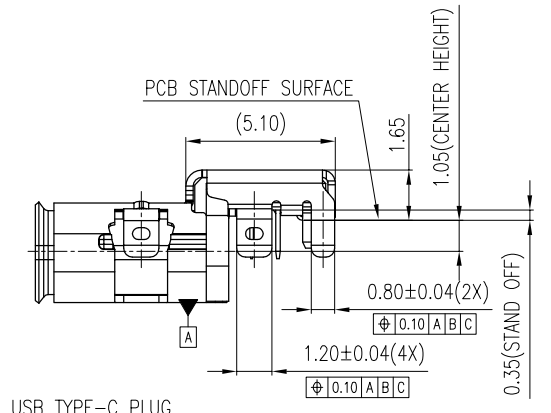
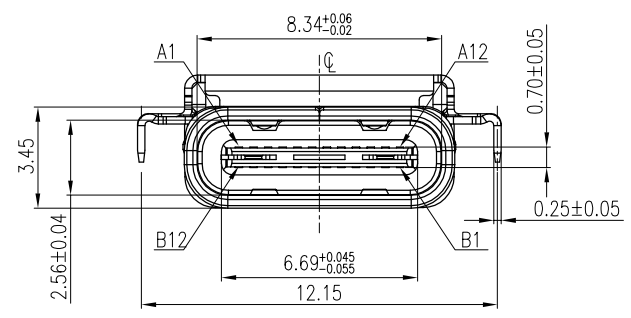


REV.	ECN NO.	LOCATION	DESCRIPTION	DATE	DESIGN
X1			INITIAL RELEASE	10/13'16	Cecil



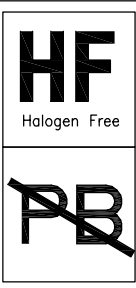
NO.	PART NAME	MATERIAL	Q'TY
5	CONTACT	COPPER ALLOY	24
4	MID-PLATE	STAINLESS STELL	1
3	HOSING	BLACK,UL94 V-0	1
2	OUTER SHELL	STAINLESS STELL	1
1	INNER SHELL	STAINLESS STELL	1

DIM	TOL	DIM	TOL
X.	±0.30	x.	±2'
.X	±0.25	.x	±1'
.XX	±0.15		
.XXX	±0.05		

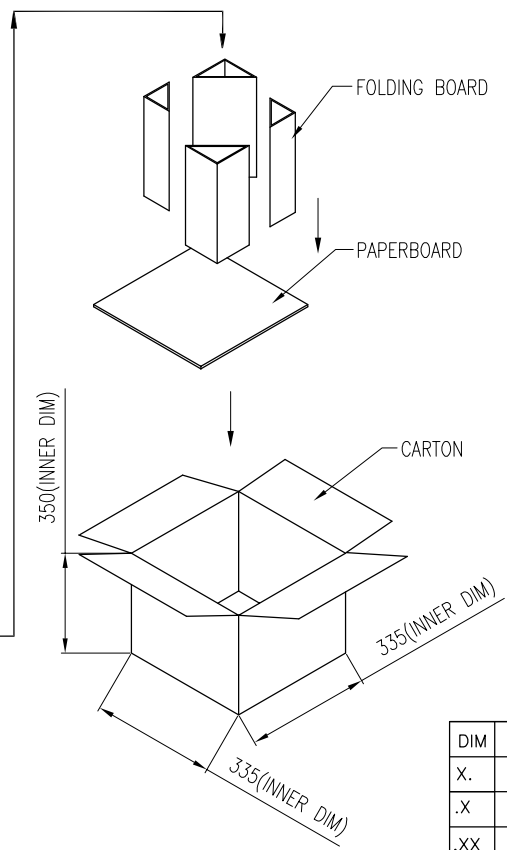
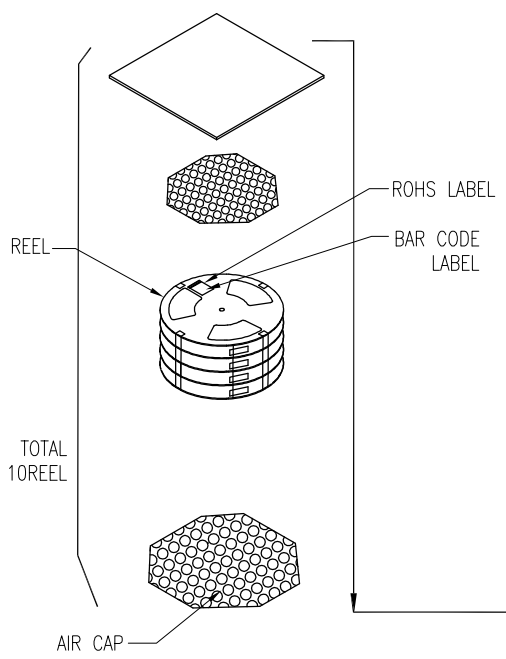
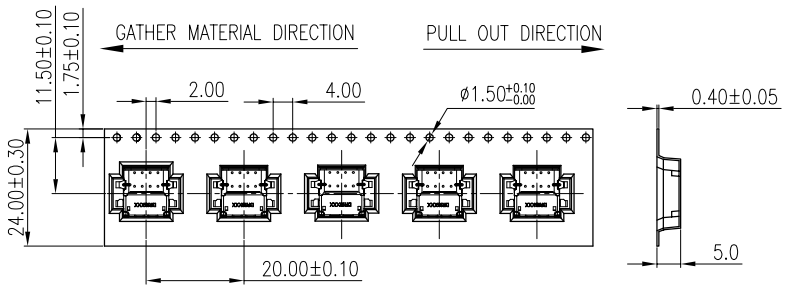
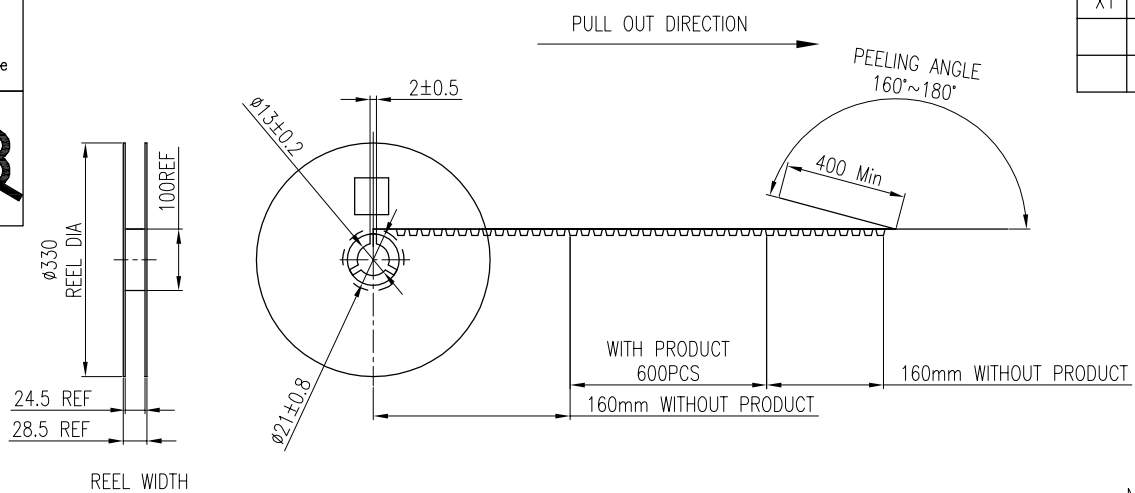
3G ENTERPRISE LIMITED

CUSTOMER DRAWING		DATE	TITLE: USB TYPE C REC 3.1 24PIN SINK CH=-1.10 CONNECTOR
DESIGN:	Cecil	10/13'16	P/N: 2UB2018-001H
CHECK:	Charlie	10/13'16	SHEET: 1/3
APPROVAL:	Richard	10/13'16	SCALE: 1:1 UNIT: mm

DRAW NO. SC16XXXXX



REV.	ECN NO.	LOCATION	DESCRIPTION	DATE	DESIGN
X1			INITIAL RELEASE	10/13'16	Cecil



- NOTES :(FOR REEL)
- PRODUCT MUST MEET CONTROLLED SUBSTANCES SPEC. ROHS 2.0
 - PACKAGING MATERIAL IN PLASTIC, RUBBER, INK, PIGMENT AND PAINT MUST MEET CONTROLLED SUBSTANCES SPEC PER 230-702.
 - * CADMIUM AND CADMIUM COMPOUNDS NOT TO EXCEED: 5 PPM.
 - * LEAD, CADMIUM, CHROM VI AND MERCURY NOT TO EXCEED: 100 PPM (COMBINED).
 - * CARRIER TAPES, COVER TAPES, REELS AND TAPED COMPONENTS MUST MEET THE REQUIREMENTS DEFINED PER EIA-481-B.
- MATERIAL :
COVER TAPE : ANTISTATIC P.S T=0.05±0.01 ,COLOR: CLEAR
CARRIER TAPE : ANTISTATIC P.S T=0.40mm ±0.05 , COLOR: CLEAR
REEL : PS UL94V-0
SHIPPING BOX: CORRUGATED FIBER
 - DIMENSION :
REEL : SEE DRAWING
BOX : SEE DRAWING
 - QUANTITY : SEE TABLE
 - WEIGHT : SEE TABLE
 - PEELING RESISTANCE : 10gf~130gf (for 12~56mm)
 - PEELING SPEED : 300mm/MINUTES

600	10	6000	2UB2018-001H
PCS/ REEL	REEL/ BOX	PCS/ BOX	PART NUMBER

DIM	TOL	DIM	TOL
X.	±0.30	x.	±2'
.X	±0.25	.x	±1'
.XX	±0.15		
.XXX	±0.05		

3G ENTERPRISE LIMITED			
DRAW NO.		CUSTOMER DRAWING	DATE
SC16XXXXX		DESIGN: Cecil	10/13'16
REV. X1		CHECK: Charlie	10/13'16
		APPROVAL: Richard	10/13'16
TITLE: USB TYPE C REC 3.1 24PIN SINK CH=-1.10 CONNECTOR			P/N:2UB2018-001H
SHEET: 3/3		SCALE: 1:1 UNIT: mm	